

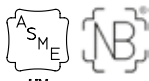
ANSI-Safety Relief Valve

Full Nozzle with thread ends (optional: flanges (ANSI 150 - 2500) / socket weld ends / butt-weld ends)

ARI-REYCO RL14 Series

ANSI-Safety Relief Valve
with male thread / female thread

- Specifications: Area 0,078 in²
Area 0,122 in²
- ASME Code Section VIII-Division 1.

• UV-stamp NB-stamp  uv

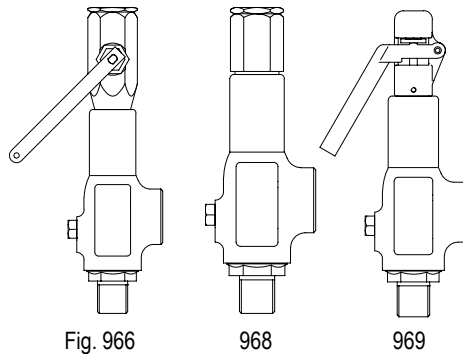


Fig. 966

968

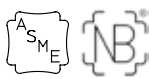
969

Page 2

ARI-REYCO RL40/41 Series

ANSI-Safety Relief Valve
with female thread / female thread

- Specifications: Area 0,152 in²
Area 0,235 in²
Area 0,563 in²
- ASME Code Section VIII-Division 1.

• UV-stamp NB-stamp  uv

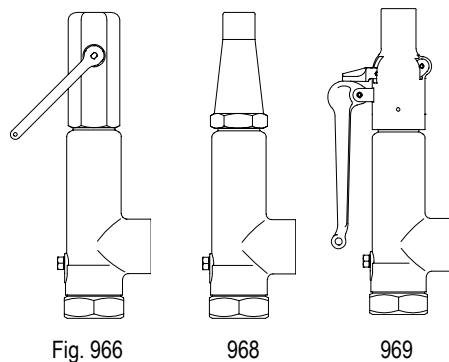


Fig. 966

968

969

Page 2

optional:

- with female thread / female thread
- with male thread / female thread
- with socket weld end / socket weld end
- with butt-weld end / socket weld end
- with flanges

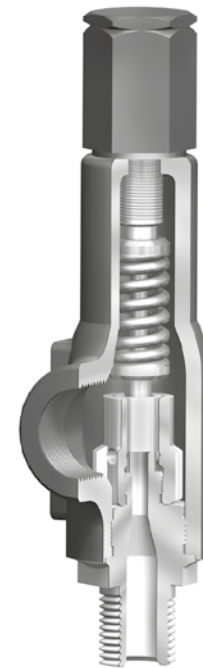
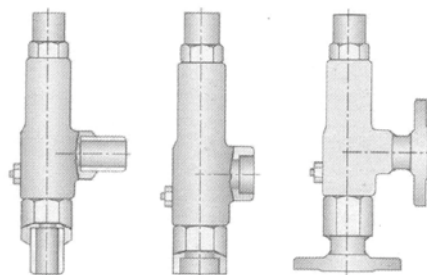


Fig. 968
gastight cap

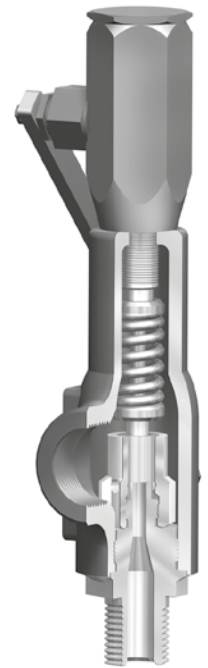


Fig. 966
closed lifting device

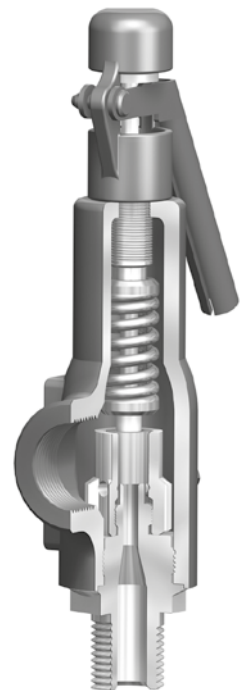




Fig. 969
open lifting device

Features:

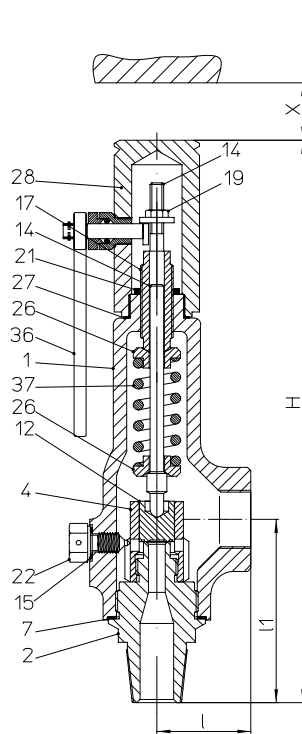
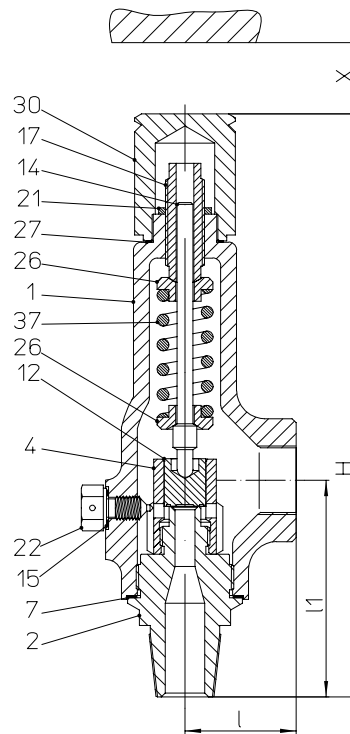
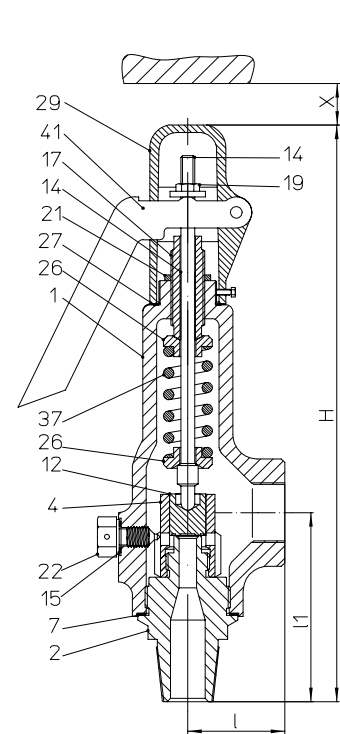
- Direct loaded with spring
- Wear resistant seat/disc
- Precision disc alignment and guide
- Possible with soft seal disc

ARI-REYCO RL Series - Safety Relief Valve (Full Nozzle)

Figure	Nominal pressure	Material	Connection (inlet / outlet)	Valve size	Orifice	Temperature range
39.966 / 968 / 969	ANSI1500	SA216WCC	male thread NPT / female thread NPT	1/2" x 1" - 1" x 1"	A, D	• Spring: Chrome vanadium -75°F up to +650°F • Spring: Inconel -75°F up to +750°F
39.966 / 968 / 969	ANSI1500	SA216WCC	female thread NPT / female thread NPT	3/4" x 1" - 2" x 2"	B, C, G	
39.966 / 968 / 969	ANSI1500	SA216WCC	female thread NPT / female thread NPT	1/2" x 1" - 1" x 1"	A, D	
39.966 / 968 / 969	ANSI1500	SA216WCC	male thread NPT / female thread NPT	3/4" x 1" - 2" x 2"	B, C, G	
39.966 / 968 / 969	ANSI1500	SA216WCC	socket weld ends / socket weld ends	1/2" x 1" - 2" x 2"	B, C, G	
39.966 / 968 / 969	ANSI1500	SA216WCC	butt-weld ends / socket weld ends	1/2" x 1" - 2" x 2"	A, D, B, C, G	
32.966 / 968 / 969	ANSI150/150	SA216WCC	flanges ASME B16.5 / flanges ASME B16.5 (Versions: refer to page 4 - 10)	1/2" x 1" - 2" x 2"	A, D, B, C, G	
35.966 / 968 / 969	ANSI300/(150)300	SA216WCC		1/2" x 1" - 2" x 2"		
37.966 / 968 / 969	ANSI600/(150)300	SA216WCC		1/2" x 1" - 2" x 2"		
38.966 / 968 / 969	ANSI900/300	SA216WCC		1/2" x 1" - 1" x 2"		
39.966 / 968 / 969	ANSI1500/300	SA216WCC		1/2" x 1" - 2" x 2"		
3c.966 / 968 / 969	ANSI2500/300	SA216WCC		3/4" x 2" - 1" x 2"		
59.966 / 968	ANSI1500	SA351CF8M	male thread NPT / female thread NPT	1/2" x 1" - 1" x 1"	A, D	
59.966 / 968	ANSI1500	SA351CF8M	female thread NPT / female thread NPT	3/4" x 1" - 2" x 2"	B, C, G	
39.966 / 968	ANSI1500	SA351CF8M	female thread NPT / female thread NPT	1/2" x 1" - 1" x 1"	A, D	
59.966 / 968	ANSI1500	SA351CF8M	male thread NPT / female thread NPT	3/4" x 1" - 2" x 2"	B, C, G	
59.966 / 968	ANSI1500	SA351CF8M	socket weld ends / socket weld ends	1/2" x 1" - 2" x 2"	B, C, G	
59.966 / 968	ANSI1500	SA351CF8M	butt-weld ends / socket weld ends	1/2" x 1" - 2" x 2"	A, D, B, C, G	
52.966 / 968	ANSI150/150	SA351CF8M	flanges ASME B16.5 / flanges ASME B16.5 (Versions: refer to page 5 - 11)	1/2" x 1" - 2" x 2"	A, D, B, C, G	
55.966 / 968	ANSI300/(150)300	SA351CF8M		1/2" x 1" - 2" x 2"		
57.966 / 968	ANSI600/(150)300	SA351CF8M		1/2" x 1" - 2" x 2"		
58.966 / 968	ANSI900/300	SA351CF8M		1/2" x 1" - 1" x 2"		
59.966 / 968	ANSI1500/300	SA351CF8M		1/2" x 1" - 2" x 2"		
5c.966 / 968	ANSI2500/300	SA351CF8M		3/4" x 2" - 1" x 2"		

Marking
  UV-stamp UV NB-stamp
Construction / Application
Safety valve, spring loaded, direct loaded for gases, vapours and liquids
Requirement
ASME Code Section VIII-Division 1.

Sizing	
Berechnungen nach ASME	
Details required	
Medium gasform:	Mass flow (lb/h), SCFM, molar mass (kg/kmol), isotope exponent, temperature (°F), set pressure (psig), back pressure (psig) Mass flow (kg/h), molar mass (kg/kmol), isotope exponent, temperature (°C), set pressure (barü), back pressure (barü)
Medium liquid:	Volume flow (gal/min), density (lb/ft³), viscosity, temperature (°F), set pressure (psi gauge), back pressure (psi gauge) Volume flow (kg/h), density (kg/m³), viscosity, Temperatur (°C), set pressure (barü), back pressure (barü)
Order text:	
ARI-REYCO RL Series - Safety Relief Valve, Figure ..., Orifice, Valve size ...x..., Nominal pressure ..., Material ..., Connection (inlet / outlet), Set pressure ...psig	
	Standard: without metal bellows
Superimposed back pressure	on request
Built up back pressure	max. 10% from set pressure (gauge) (higher on request)


Fig.966
 closed lifting device

Fig.968
 gastight cap

Fig.969
 open lifting device

Parts				
Pos.	Sp.p.	Description	Fig. 32.966 / 968 / 969 - 3c.966 / 968 / 969	Fig. 52.966 / 968 - 5c.966 / 968
1		Bonnet	SA216WCC	SA351CF8M
2	x	Base	SA351CF8M	
4		Guide	SA351CF8M (liquid+air) / Monel SA494M35-2 (steam)	
7	x	Gasket (base/bonnet)	Stainless steel	
12	x	Disc	SA479Gr.316L	
14		Stem	SA479Gr.316L	
15	x	Gasket	Stainless steel	
17		Compression screw	SA479Gr.316L	
19		Hexagon nut	SA58Gr.303 SS	
21		Compression nut	SA479Gr.316L	
22		Locking screw (ring pin assembly)	SA479Gr.316L	
26		Top spring step	SA108Gr.1018	
27	x	Gasket (cap)	Stainless steel	
28		Cap, closed (Fig. 966)	SA216WCC	SA351CF8M
29		Cap, open (Fig. 969)	Gray iron	--
30		Cap, gastight (Fig. 968)	SA216WCC	SA351CF8M
35		Lift fork	SA216WCC	SA351CF8M
36		Lifting lever	Gray iron	
37		Spring	Chrome vanadium (up to 650°F) / Inconel X750 (optional)	SA313Gr.316 / Inconel X750 (optional)
41		Lever, open (excentric lever)	Gray iron	
71	x	Gasket (gag screw)	Stainless steel	
72		Gag screw	SA479Gr.316L	
74		Retaining plate	SA479Gr.316L	
75	x	O-ring	Viton	
77		Retaining screw	SA479Gr.304L	
		L Spare parts		

Information / restriction of technical rules need to be observed!

The engineer, designing a system or a plant, is responsible for the selection of the correct valve.

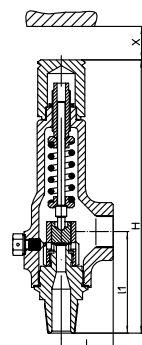
Resistance and fitness must be verified and contact the manufacturer for information (see product overview and resistance table).

RL14: Specifications - Area 0,078 in² - Orifice A (not acc. to API)

Valve size	Material		Connections ANSI std. (RF or RTJ)		Max. Set pressures				Outlet flange rating limit (4)	Valve dimensions				Weight
										I	I1	Max. H	Min. X	
inch	Body & Bonnet	Spring	Inlet	Outlet	psig at 100°F	psig at 400°F	psig at 750°F	psig at 100°F	inch	inch	inch	inch	lbs	
Inlet: Male thread NPT / Outlet: Female thread NPT (Standard)														
1/2 x 1	SA216WCC	Chrome vanad.	1500 NPT	1500 NPT	2900	2900	2535	400	1,85	3,15	10,05	3	4,3	
3/4 x 1	SA216WCC	Chrome vanad.	1500 NPT	1500 NPT	2900	2900	2535	400	1,85	3,15	10,05	3	4,3	
1 x 1	SA216WCC	Chrome vanad.	1500 NPT	1500 NPT	2900	2900	2535	400	1,85	3,40	10,30	3	4,3	
Inlet: Female thread NPT / Outlet: Female thread NPT														
1/2 x 1	SA216WCC	Chrome vanad.	1500 NPT	1500 NPT	2900	2900	2535	400	1,85	2,63	9,49	3	4,3	
3/4 x 1	SA216WCC	Chrome vanad.	1500 NPT	1500 NPT	2900	2900	2535	400	1,85	2,63	9,49	3	4,3	
1 x 1	SA216WCC	Chrome vanad.	1500 NPT	1500 NPT	2900	2900	2535	400	1,85	2,63	9,49	3	4,3	
Inlet: Socket weld end / Outlet: Socket weld end														
1/2 x 1	SA216WCC	Chrome vanad.	1500	1500	2900	2900	2535	400	acc. to customers requirement					
3/4 x 1	SA216WCC	Chrome vanad.	1500	1500	2900	2900	2535	400						
1 x 1	SA216WCC	Chrome vanad.	1500	1500	2900	2900	2535	400						
Inlet: Butt-weld end / Outlet: Socket weld end														
1/2 x 1	SA216WCC	Chrome vanad.	1500	1500	2900	2900	2535	400	acc. to customers requirement					
3/4 x 1	SA216WCC	Chrome vanad.	1500	1500	2900	2900	2535	400						
1 x 1	SA216WCC	Chrome vanad.	1500	1500	2900	2900	2535	400						
Inlet: Flange / Outlet: Flange														
1/2 x 1	SA216WCC	Chrome vanad.	150 RF	150 RF	290	200	95	290	3,97	4,65	11,56	3	9,0	
3/4 x 1	SA216WCC	Chrome vanad.	150 RF	150 RF	290	200	95	290	3,97	4,72	11,56	3	9,0	
1 x 1	SA216WCC	Chrome vanad.	150 RF	150 RF	290	200	95	290	3,97	4,72	11,56	3	9,0	
1/2 x 1	SA216WCC	Chrome vanad.	300 RF	150 RF	750	705	505	290	3,97	4,65	11,56	3	10,0	
3/4 x 1	SA216WCC	Chrome vanad.	300 RF	150 RF	750	705	505	290	3,97	4,72	11,56	3	10,0	
1 x 1	SA216WCC	Chrome vanad.	300 RF	150 RF	750	705	505	290	3,97	4,72	11,56	3	10,0	
1/2 x 1	SA216WCC	Chrome vanad.	300 RF	300 RF	750	705	505	290	3,97	4,65	11,56	3	11,0	
3/4 x 1	SA216WCC	Chrome vanad.	300 RF	300 RF	750	705	505	290	3,97	4,72	11,56	3	11,0	
1 x 1	SA216WCC	Chrome vanad.	300 RF	300 RF	750	705	505	290	3,97	4,72	11,56	3	11,0	
1/2 x 1	SA216WCC	Chrome vanad.	600 RF	150 RF	1500	1405	1015	290	3,97	4,65	11,56	3	11,0	
3/4 x 1	SA216WCC	Chrome vanad.	600 RF	150 RF	1500	1405	1015	290	3,97	4,72	11,56	3	11,0	
1 x 1	SA216WCC	Chrome vanad.	600 RF	150 RF	1500	1405	1015	290	3,97	4,72	11,56	3	11,0	
1/2 x 1	SA216WCC	Chrome vanad.	600 RF	300 RF	1500	1405	1015	290	3,97	4,65	11,56	3	12,0	
3/4 x 1	SA216WCC	Chrome vanad.	600 RF	300 RF	1500	1405	1015	290	3,97	4,72	11,56	3	12,0	
1 x 1	SA216WCC	Chrome vanad.	600 RF	300 RF	1500	1405	1015	290	3,97	4,72	11,56	3	12,0	
1/2 x 1	SA216WCC	Chrome vanad.	900 RF	300 RF	2250	2110	1520	290	3,97	5,09	12,00	3	15,0	
3/4 x 1	SA216WCC	Chrome vanad.	900 RF	300 RF	2250	2110	1520	290	3,97	5,59	12,50	3	15,0	
1 x 1	SA216WCC	Chrome vanad.	900 RF	300 RF	2250	2110	1520	290	3,97	5,72	12,56	3	15,0	
1/2 x 1	SA216WCC	Chrome vanad.	1500 RF	300 RF	2900	2900	2535	400	3,97	5,09	12,00	3	15,0	
3/4 x 1	SA216WCC	Chrome vanad.	1500 RF	300 RF	2900	2900	2535	400	3,97	5,59	12,50	3	15,0	
1 x 1	SA216WCC	Chrome vanad.	1500 RF	300 RF	2900	2900	2535	400	3,97	5,72	12,56	3	15,0	

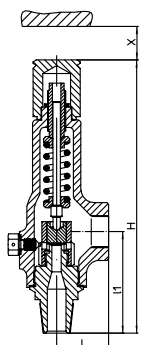
Notes

- For temperatures above 650°F springs of Inconel are necessary
- Outlet pressure limit for temperatures above 100°F shall not exceed the rating in ANSI/ASME B16.34



RL14: Specifications - Area 0,078 in² - Orifice A (not acc. to API)

Valve size	Material	Connections ANSI std. (RF or RTJ)	Max. Set pressures			Outlet flange rating limit (4)	Valve dimensions				Weight		
							I	I1	Max. H	Min. X			
inch	Body & Bonnet	Spring	Inlet	Outlet	psig at 100°F	psig at 400°F	psig at 750°F	psig at 100°F	inch	inch	inch	inch	lbs
Inlet: Male thread NPT / Outlet: Female thread NPT (Standard)													
1/2 x 1	SA351CF8M	SA313Gr.316	1500 NPT	1500 NPT	2900	2570	2135	400	1,85	3,15	10,05	3	4,3
3/4 x 1	SA351CF8M	SA313Gr.316	1500 NPT	1500 NPT	2900	2570	2135	400	1,85	3,15	10,05	3	4,3
1 x 1	SA351CF8M	SA313Gr.316	1500 NPT	1500 NPT	2900	2570	2135	400	1,85	3,40	10,30	3	4,3
Inlet: Female thread NPT / Outlet: Female thread NPT													
1/2 x 1	SA351CF8M	SA313Gr.316	1500 NPT	1500 NPT	2900	2570	2135	400	1,85	2,63	9,49	3	4,3
3/4 x 1	SA351CF8M	SA313Gr.316	1500 NPT	1500 NPT	2900	2570	2135	400	1,85	2,63	9,49	3	4,3
1 x 1	SA351CF8M	SA313Gr.316	1500 NPT	1500 NPT	2900	2570	2135	400	1,85	2,63	9,49	3	4,3
Inlet: Socket weld end / Outlet: Socket weld end													
1/2 x 1	SA351CF8M	SA313Gr.316	1500	1500	2900	2570	2135	400	acc. to customers requirement				
3/4 x 1	SA351CF8M	SA313Gr.316	1500	1500	2900	2570	2135	400					
1 x 1	SA351CF8M	SA313Gr.316	1500	1500	2900	2570	2135	400					
Inlet: Butt-weld end / Outlet: Socket weld end													
1/2 x 1	SA351CF8M	SA313Gr.316	1500	1500	2900	2570	2135	400	acc. to customers requirement				
3/4 x 1	SA351CF8M	SA313Gr.316	1500	1500	2900	2570	2135	400					
1 x 1	SA351CF8M	SA313Gr.316	1500	1500	2900	2570	2135	400					
Inlet: Flange / Outlet: Flange													
1/2 x 1	SA351CF8M	SA313Gr.316	150 RF	150 RF	275	195	95	275	3,97	4,65	11,56	3	9,0
3/4 x 1	SA351CF8M	SA313Gr.316	150 RF	150 RF	275	195	95	275	3,97	4,72	11,56	3	9,0
1 x 1	SA351CF8M	SA313Gr.316	150 RF	150 RF	275	195	95	275	3,97	4,72	11,56	3	9,0
1/2 x 1	SA351CF8M	SA313Gr.316	300 RF	150 RF	720	515	425	275	3,97	4,65	11,56	3	10,0
3/4 x 1	SA351CF8M	SA313Gr.316	300 RF	150 RF	720	515	425	275	3,97	4,72	11,56	3	10,0
1 x 1	SA351CF8M	SA313Gr.316	300 RF	150 RF	720	515	425	275	3,97	4,72	11,56	3	10,0
1/2 x 1	SA351CF8M	SA313Gr.316	300 RF	300 RF	720	515	425	275	3,97	4,65	11,56	3	11,0
3/4 x 1	SA351CF8M	SA313Gr.316	300 RF	300 RF	720	515	425	275	3,97	4,72	11,56	3	11,0
1 x 1	SA351CF8M	SA313Gr.316	300 RF	300 RF	720	515	425	275	3,97	4,72	11,56	3	11,0
1/2 x 1	SA351CF8M	SA313Gr.316	600 RF	150 RF	1440	1025	855	275	3,97	4,65	11,56	3	11,0
3/4 x 1	SA351CF8M	SA313Gr.316	600 RF	150 RF	1440	1025	855	275	3,97	4,72	11,56	3	11,0
1 x 1	SA351CF8M	SA313Gr.316	600 RF	150 RF	1440	1025	855	275	3,97	4,72	11,56	3	11,0
1/2 x 1	SA351CF8M	SA313Gr.316	600 RF	300 RF	1440	1025	855	275	3,97	4,65	11,56	3	12,0
3/4 x 1	SA351CF8M	SA313Gr.316	600 RF	300 RF	1440	1025	855	275	3,97	4,72	11,56	3	12,0
1 x 1	SA351CF8M	SA313Gr.316	600 RF	300 RF	1440	1025	855	275	3,97	4,72	11,56	3	12,0
1/2 x 1	SA351CF8M	SA313Gr.316	900 RF	300 RF	2160	1540	1280	275	3,97	5,09	12,0	3	15,0
3/4 x 1	SA351CF8M	SA313Gr.316	900 RF	300 RF	2160	1540	1280	275	3,97	5,59	12,50	3	15,0
1 x 1	SA351CF8M	SA313Gr.316	900 RF	300 RF	2160	1540	1280	275	3,97	5,72	12,56	3	15,0
1/2 x 1	SA351CF8M	SA313Gr.316	1500 RF	300 RF	2900	2570	2135	400	3,97	5,09	12,00	3	15,0
3/4 x 1	SA351CF8M	SA313Gr.316	1500 RF	300 RF	2900	2570	2135	400	3,97	5,59	12,50	3	15,0
1 x 1	SA351CF8M	SA313Gr.316	1500 RF	300 RF	2900	2570	2135	400	3,97	5,72	12,56	3	15,0



Notes

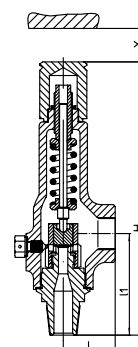
1. Outlet pressure limit for temperatures above 100°F shall not exceed the rating in ANSI/ASME B16.34

RL14: Specifications - Area 0,122 in² - Orifice D (not acc. to API)

Valve size	Material		Connections ANSI std. (RF or RTJ)		Max. Set pressures				Outlet flange rating limit (4)	Valve dimensions				Weight
										I	I1	Max. H	Min. X	
inch	Body & Bonnet	Spring	Inlet	Outlet	psig at 100°F	psig at 400°F	psig at 750°F	psig at 100°F	inch	inch	inch	inch	lbs	
Inlet: Male thread NPT / Outlet: Female thread NPT (Standard)														
1/2 x 1	SA216WCC	Chrome vanad.	1500 NPT	1500 NPT	2900	2900	2535	400	1,85	3,15	10,05	3	4,3	
3/4 x 1	SA216WCC	Chrome vanad.	1500 NPT	1500 NPT	2900	2900	2535	400	1,85	3,15	10,05	3	4,3	
1 x 1	SA216WCC	Chrome vanad.	1500 NPT	1500 NPT	2900	2900	2535	400	1,85	3,40	10,30	3	4,3	
Inlet: Female thread NPT / Outlet: Female thread NPT														
1/2 x 1	SA216WCC	Chrome vanad.	1500 NPT	1500 NPT	2900	2900	2535	400	1,85	2,63	9,49	3	4,3	
3/4 x 1	SA216WCC	Chrome vanad.	1500 NPT	1500 NPT	2900	2900	2535	400	1,85	2,63	9,49	3	4,3	
1 x 1	SA216WCC	Chrome vanad.	1500 NPT	1500 NPT	2900	2900	2535	400	1,85	2,63	9,49	3	4,3	
Inlet: Socket weld end / Outlet: Socket weld end														
1/2 x 1	SA216WCC	Chrome vanad.	1500	1500	2900	2900	2535	400	acc. to customers requirement					
3/4 x 1	SA216WCC	Chrome vanad.	1500	1500	2900	2900	2535	400						
1 x 1	SA216WCC	Chrome vanad.	1500	1500	2900	2900	2535	400						
Inlet: Butt-weld end / Outlet: Socket weld end														
1/2 x 1	SA216WCC	Chrome vanad.	1500	1500	2900	2900	2535	400	acc. to customers requirement					
3/4 x 1	SA216WCC	Chrome vanad.	1500	1500	2900	2900	2535	400						
1 x 1	SA216WCC	Chrome vanad.	1500	1500	2900	2900	2535	400						
Inlet: Flange / Outlet: Flange														
1/2 x 1	SA216WCC	Chrome vanad.	150 RF	150 RF	290	200	95	290	3,97	4,65	11,56	3	9,0	
3/4 x 1	SA216WCC	Chrome vanad.	150 RF	150 RF	290	200	95	290	3,97	4,72	11,56	3	9,0	
1 x 1	SA216WCC	Chrome vanad.	150 RF	150 RF	290	200	95	290	3,97	4,72	11,56	3	9,0	
1/2 x 1	SA216WCC	Chrome vanad.	300 RF	150 RF	750	705	505	290	3,97	4,65	11,56	3	10,0	
3/4 x 1	SA216WCC	Chrome vanad.	300 RF	150 RF	750	705	505	290	3,97	4,72	11,56	3	10,0	
1 x 1	SA216WCC	Chrome vanad.	300 RF	150 RF	750	705	505	290	3,97	4,72	11,56	3	10,0	
1/2 x 1	SA216WCC	Chrome vanad.	300 RF	300 RF	750	705	505	290	3,97	4,65	11,56	3	11,0	
3/4 x 1	SA216WCC	Chrome vanad.	300 RF	300 RF	750	705	505	290	3,97	4,72	11,56	3	11,0	
1 x 1	SA216WCC	Chrome vanad.	300 RF	300 RF	750	705	505	290	3,97	4,72	11,56	3	11,0	
1/2 x 1	SA216WCC	Chrome vanad.	600 RF	150 RF	1500	1405	1015	290	3,97	4,65	11,56	3	11,0	
3/4 x 1	SA216WCC	Chrome vanad.	600 RF	150 RF	1500	1405	1015	290	3,97	4,72	11,56	3	11,0	
1 x 1	SA216WCC	Chrome vanad.	600 RF	150 RF	1500	1405	1015	290	3,97	4,72	11,56	3	11,0	
1/2 x 1	SA216WCC	Chrome vanad.	600 RF	300 RF	1500	1405	1015	290	3,97	4,65	11,56	3	12,0	
3/4 x 1	SA216WCC	Chrome vanad.	600 RF	300 RF	1500	1405	1015	290	3,97	4,72	11,56	3	12,0	
1 x 1	SA216WCC	Chrome vanad.	600 RF	300 RF	1500	1405	1015	290	3,97	4,72	11,56	3	12,0	
1/2 x 1	SA216WCC	Chrome vanad.	900 RF	300 RF	2250	2110	1520	290	3,97	5,09	12,00	3	15,0	
3/4 x 1	SA216WCC	Chrome vanad.	900 RF	300 RF	2250	2110	1520	290	3,97	5,59	12,50	3	15,0	
1 x 1	SA216WCC	Chrome vanad.	900 RF	300 RF	2250	2110	1520	290	3,97	5,72	12,56	3	15,0	
1/2 x 1	SA216WCC	Chrome vanad.	1500 RF	300 RF	2900	2900	2535	400	3,97	5,09	12,00	3	15,0	
3/4 x 1	SA216WCC	Chrome vanad.	1500 RF	300 RF	2900	2900	2535	400	3,97	5,59	12,50	3	15,0	
1 x 1	SA216WCC	Chrome vanad.	1500 RF	300 RF	2900	2900	2535	400	3,97	5,72	12,56	3	15,0	

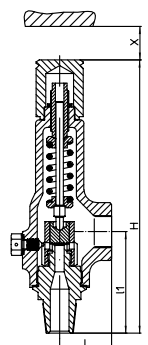
Notes

- For temperatures above 650°F springs of Inconel are necessary
- Outlet pressure limit for temperatures above 100°F shall not exceed the rating in ANSI/ASME B16.34



RL14: Specifications - Area 0,122 in² - Orifice D (not acc. to API)

Valve size	Material	Connections ANSI std. (RF or RTJ)	Max. Set pressures			Outlet flange rating limit (4)	Valve dimensions				Weight		
			Inlet	Outlet			I	I1	Max. H	Min. X			
inch	Body & Bonnet	Spring			psig at 100°F	psig at 400°F	psig at 750°F	psig at 100°F	inch	inch	inch	inch	lbs
Inlet: Male thread NPT / Outlet: Female thread NPT (Standard)													
1/2 x 1	SA351CF8M	SA313Gr.316	1500 NPT	1500 NPT	2900	2570	2135	400	1,85	3,15	10,05	3	4,3
3/4 x 1	SA351CF8M	SA313Gr.316	1500 NPT	1500 NPT	2900	2570	2135	400	1,85	3,15	10,05	3	4,3
1 x 1	SA351CF8M	SA313Gr.316	1500 NPT	1500 NPT	2900	2570	2135	400	1,85	3,40	10,30	3	4,3
Inlet: Female thread NPT / Outlet: Female thread NPT													
1/2 x 1	SA351CF8M	SA313Gr.316	1500 NPT	1500 NPT	2900	2570	2135	400	1,85	2,63	9,49	3	4,3
3/4 x 1	SA351CF8M	SA313Gr.316	1500 NPT	1500 NPT	2900	2570	2135	400	1,85	2,63	9,49	3	4,3
1 x 1	SA351CF8M	SA313Gr.316	1500 NPT	1500 NPT	2900	2570	2135	400	1,85	2,63	9,49	3	4,3
Inlet: Socket weld end / Outlet: Socket weld end													
1/2 x 1	SA351CF8M	SA313Gr.316	1500	1500	2900	2570	2135	400	acc. to customers requirement				
3/4 x 1	SA351CF8M	SA313Gr.316	1500	1500	2900	2570	2135	400					
1 x 1	SA351CF8M	SA313Gr.316	1500	1500	2900	2570	2135	400					
Inlet: Butt-weld end / Outlet: Socket weld end													
1/2 x 1	SA351CF8M	SA313Gr.316	1500	1500	2900	2570	2135	400	acc. to customers requirement				
3/4 x 1	SA351CF8M	SA313Gr.316	1500	1500	2900	2570	2135	400					
1 x 1	SA351CF8M	SA313Gr.316	1500	1500	2900	2570	2135	400					
Inlet: Flange / Outlet: Flange													
1/2 x 1	SA351CF8M	SA313Gr.316	150 RF	150 RF	275	195	95	275	3,97	4,65	11,56	3	9,0
3/4 x 1	SA351CF8M	SA313Gr.316	150 RF	150 RF	275	195	95	275	3,97	4,72	11,56	3	9,0
1 x 1	SA351CF8M	SA313Gr.316	150 RF	150 RF	275	195	95	275	3,97	4,72	11,56	3	9,0
1/2 x 1	SA351CF8M	SA313Gr.316	300 RF	150 RF	720	515	425	275	3,97	4,65	11,56	3	10,0
3/4 x 1	SA351CF8M	SA313Gr.316	300 RF	150 RF	720	515	425	275	3,97	4,72	11,56	3	10,0
1 x 1	SA351CF8M	SA313Gr.316	300 RF	150 RF	720	515	425	275	3,97	4,72	11,56	3	10,0
1/2 x 1	SA351CF8M	SA313Gr.316	300 RF	300 RF	720	515	425	275	3,97	4,65	11,56	3	11,0
3/4 x 1	SA351CF8M	SA313Gr.316	300 RF	300 RF	720	515	425	275	3,97	4,72	11,56	3	11,0
1 x 1	SA351CF8M	SA313Gr.316	300 RF	300 RF	720	515	425	275	3,97	4,72	11,56	3	11,0
1/2 x 1	SA351CF8M	SA313Gr.316	600 RF	150 RF	1440	1025	855	275	3,97	4,65	11,56	3	11,0
3/4 x 1	SA351CF8M	SA313Gr.316	600 RF	150 RF	1440	1025	855	275	3,97	4,72	11,56	3	11,0
1 x 1	SA351CF8M	SA313Gr.316	600 RF	150 RF	1440	1025	855	275	3,97	4,72	11,56	3	11,0
1/2 x 1	SA351CF8M	SA313Gr.316	600 RF	300 RF	1440	1025	855	275	3,97	4,65	11,56	3	12,0
3/4 x 1	SA351CF8M	SA313Gr.316	600 RF	300 RF	1440	1025	855	275	3,97	4,72	11,56	3	12,0
1 x 1	SA351CF8M	SA313Gr.316	600 RF	300 RF	1440	1025	855	275	3,97	4,72	11,56	3	12,0
1/2 x 1	SA351CF8M	SA313Gr.316	900 RF	300 RF	2160	1540	1280	275	3,97	5,09	12,0	3	15,0
3/4 x 1	SA351CF8M	SA313Gr.316	900 RF	300 RF	2160	1540	1280	275	3,97	5,59	12,50	3	15,0
1 x 1	SA351CF8M	SA313Gr.316	900 RF	300 RF	2160	1540	1280	275	3,97	5,72	12,56	3	15,0
1/2 x 1	SA351CF8M	SA313Gr.316	1500 RF	300 RF	2900	2570	2135	400	3,97	5,09	12,00	3	15,0
3/4 x 1	SA351CF8M	SA313Gr.316	1500 RF	300 RF	2900	2570	2135	400	3,97	5,59	12,50	3	15,0
1 x 1	SA351CF8M	SA313Gr.316	1500 RF	300 RF	2900	2570	2135	400	3,97	5,72	12,56	3	15,0



Notes

1. Outlet pressure limit for temperatures above 100°F shall not exceed the rating in ANSI/ASME B16.34

RL40: Specifications - Area 0,152 in² - Orifice B (not acc. to API)

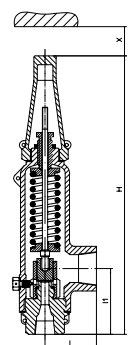
Valve size	Material		Connections ANSI std. (RF or RTJ)		Max. Set pressures			Outlet flange rating limit (4)	Valve dimensions				Weight
									I	I1	Max. H	Min. X	
inch	Body & Bonnet	Spring	Inlet	Outlet	psig at 100°F	psig at 400°F	psig at 750°F	psig at 100°F	inch	inch	inch	inch	lbs
Inlet: Female thread NPT / Outlet: Female thread NPT (Standard)													
3/4 x 1	SA216WCC	Chrome vanad.	1500 NPT	1500 NPT	3000	3000	2535	400	2,88	3,62	15,49	6	15
Inlet: Male thread NPT / Outlet: Female thread NPT													
3/4 x 1	SA216WCC	Chrome vanad.	1500 NPT	1500 NPT	3000	3000	2535	400	2,88	4,0	15,89	6	16
Inlet: Socket weld end / Outlet: Socket weld end													
3/4 x 1	SA216WCC	Chrome vanad.	1500	1500	3000	3000	2535	400	acc. to customers requirement				
Inlet: Butt-weld end / Outlet: Socket weld end													
3/4 x 1	SA216WCC	Chrome vanad.	1500	1500	3000	3000	2535	400	acc. to customers requirement				
Inlet: Flange / Outlet: Flange													
3/4 x 1	SA216WCC	Chrome vanad.	150 RF	150 RF	290	200	95	290	5,0	5,75	17,88	6	21
3/4 x 1	SA216WCC	Chrome vanad.	300 RF	150 RF	750	705	505	290	5,0	5,75	17,88	6	21
3/4 x 1	SA216WCC	Chrome vanad.	600 RF	150 RF	1500	1405	1015	290	5,0	5,75	17,88	6	21
3/4 x 1	SA216WCC	Chrome vanad.	900 RF	300 RF	2250	2110	1520	290	5,0	6,62	18,75	6	27
3/4 x 1	SA216WCC	Chrome vanad.	1500 RF	300 RF	3000	3000	2535	400	5,0	6,62	18,75	6	27

RL41: Specifications - Area 0,152 in² - Orifice B (not acc. to API)

Valve size	Material		Connections ANSI std. (RF or RTJ)		Max. Set pressures			Outlet flange rating limit (4)	Valve dimensions				Weight
									I	I1	Max. H	Min. X	
inch	Body & Bonnet	Spring	Inlet	Outlet	psig at 100°F	psig at 400°F	psig at 750°F	psig at 100°F	inch	inch	inch	inch	lbs
Inlet: Female thread NPT / Outlet: Female thread NPT (Standard)													
3/4 x 2	SA216WCC	Chrome vanad.	2500 NPT	2500 NPT	5000	5000	4230	400	2,88	4,0	17,35	6	15
Inlet: Male thread NPT / Outlet: Female thread NPT													
3/4 x 2	SA216WCC	Chrome vanad.	2500 NPT	2500 NPT	5000	5000	4230	400	2,88	4,38	17,75	6	16
Inlet: Flange / Outlet: Flange													
3/4 x 2	SA216WCC	Chrome vanad.	1500 RF	300 RF	3750	3520	2535	400	5,38	5,38	18,88	6	27
3/4 x 2	SA216WCC	Chrome vanad.	2500 RF	300 RF	5000	5000	4230	400	5,62	5,38	19,12	6	31

Notes

1. For temperatures above 650°F springs of Inconel are necessary
2. Outlet pressure limit for temperatures above 100°F shall not exceed the rating in ANSI/ASME B16.34



RL40: Specifications - Area 0,152 in² - Orifice B (not acc. to API)

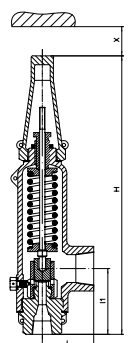
Valve size	Material		Connections ANSI std. (RF or RTJ)		Max. Set pressures				Outlet flange rating limit (4)	Valve dimensions				Weight
										I	I1	Max. H	Min. X	
inch	Body & Bonnet	Spring	Inlet	Outlet	psig at 100°F	psig at 400°F	psig at 750°F	psig at 100°F	inch	inch	inch	inch	lbs	
Inlet: Female thread NPT / Outlet: Female thread NPT (Standard)														
3/4 x 1	SA351CF8M	SA313Gr.316	1500 NPT	1500 NPT	3000	2570	2135	400	2,88	3,62	15,49	6	15	
Inlet: Male thread NPT / Outlet: Female thread NPT														
3/4 x 1	SA351CF8M	SA313Gr.316	1500 NPT	1500 NPT	3000	2570	2135	400	2,88	4,0	15,89	6	16	
Inlet: Socket weld end / Outlet: Socket weld end														
3/4 x 1	SA351CF8M	SA313Gr.316	1500	1500	3000	2570	2135	400	acc. to customers requirement					
Inlet: Butt-weld end / Outlet: Socket weld end														
3/4 x 1	SA351CF8M	SA313Gr.316	1500	1500	3000	2570	2135	400	acc. to customers requirement					
Inlet: Flange / Outlet: Flange														
3/4 x 1	SA351CF8M	SA313Gr.316	150 RF	150 RF	275	195	95	275	5,0	5,75	17,88	6	21	
3/4 x 1	SA351CF8M	SA313Gr.316	300 RF	150 RF	720	515	425	275	5,0	5,75	17,88	6	21	
3/4 x 1	SA351CF8M	SA313Gr.316	600 RF	150 RF	1440	1025	855	275	5,0	5,75	17,88	6	21	
3/4 x 1	SA351CF8M	SA313Gr.316	900 RF	300 RF	2160	1540	1280	275	5,0	6,62	18,75	6	27	
3/4 x 1	SA351CF8M	SA313Gr.316	1500 RF	300 RF	3000	2570	2135	400	5,0	6,62	18,75	6	27	

RL41: Specifications - Area 0,152 in² - Orifice B (not acc. to API)

Valve size	Material		Connections ANSI std. (RF or RTJ)		Max. Set pressure				Outlet flange rating limit (4)	Valve dimensions				Weight
										I	I1	Max. H	Min. X	
inch	Body & Bonnet	Spring	Inlet	Outlet	psig at 100°F	psig at 400°F	psig at 750°F	psig at 100°F	inch	inch	inch	inch	lbs	
Inlet: Female thread NPT / Outlet: Female thread NPT (Standard)														
3/4 x 2	SA351CF8M	SA313Gr.316	2500 NPT	2500 NPT	5000	4280	3560	400	2,88	4,0	17,35	6	15	
Inlet: Male thread NPT / Outlet: Female thread NPT														
3/4 x 2	SA351CF8M	SA313Gr.316	2500 NPT	2500 NPT	5000	4280	3560	400	2,88	4,38	17,75	6	16	
Inlet: Flange / Outlet: Flange														
3/4 x 2	SA351CF8M	SA313Gr.316	1500 RF	300 RF	3600	2570	2135	400	5,38	5,38	18,88	6	27	
3/4 x 2	SA351CF8M	SA313Gr.316	2500 RF	300 RF	5000	4280	3560	400	5,62	5,38	19,12	6	31	

Notes

1. Outlet pressure limit for temperatures above 100°F shall not exceed the rating in ANSI/ASME B16.34



RL40: Specifications - Area 0,235 in² - Orifice C (not acc. to API)

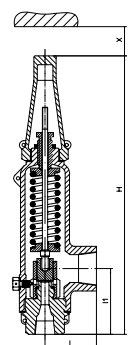
Valve size	Material		Connections ANSI std. (RF or RTJ)		Max. Set pressures			Outlet flange rating limit (4)	Valve dimensions				Weight
									I	I1	Max. H	Min. X	
inch	Body & Bonnet	Spring	Inlet	Outlet	psig at 100°F	psig at 400°F	psig at 750°F	psig at 100°F	inch	inch	inch	inch	lbs
Inlet: Female thread NPT / Outlet: Female thread NPT (Standard)													
1 x 1 1/2	SA216WCC	Chrome vanad.	1500 NPT	1500 NPT	2000	2000	2000	400	2,88	3,62	15,49	6	15
Inlet: Male thread NPT / Outlet: Female thread NPT													
1 x 1 1/2	SA216WCC	Chrome vanad.	1500 NPT	1500 NPT	2000	2000	2000	400	2,88	3,62	15,49	6	15
Inlet: Socket weld end / Outlet: Socket weld end													
1 x 1 1/2	SA216WCC	Chrome vanad.	1500	1500	2000	2000	2000	400	acc. to customers requirement				
Inlet: Butt-weld end / Outlet: Socket weld end													
1 x 1 1/2	SA216WCC	Chrome vanad.	1500	1500	2000	2000	2000	400	acc. to customers requirement				
Inlet: Flange / Outlet: Flange													
1 x 1 1/2	SA216WCC	Chrome vanad.	150 RF	150 RF	290	200	95	290	5,38	5,75	17,88	6	23
1 x 1 1/2	SA216WCC	Chrome vanad.	300 RF	150 RF	750	705	505	290	5,38	5,75	17,88	6	23
1 x 1 1/2	SA216WCC	Chrome vanad.	300 RF	300 RF	750	705	505	290	5,38	5,75	17,88	6	23
1 x 1 1/2	SA216WCC	Chrome vanad.	600 RF	150 RF	1500	1405	1015	290	5,38	5,75	17,88	6	23
1 x 1 1/2	SA216WCC	Chrome vanad..	1500 RF	300 RF	2000	2000	2000	400	5,38	6,62	18,75	6	29

RL41: Specifications - Area 0,235 in² - Orifice C (not acc. to API)

Valve size	Material		Connections ANSI std. (RF or RTJ)		Max. Set pressures			Outlet flange rating limit (4)	Valve dimensions				Weight
									I	I1	Max. H	Min. X	
inch	Body & Bonnet	Spring	Inlet	Outlet	psig at 100°F	psig at 400°F	psig at 750°F	psig at 100°F	inch	inch	inch	inch	lbs
Inlet: Female thread NPT / Outlet: Female thread NPT (Standard)													
1 x 2	SA216WCC	Chrome vanad.	2500 NPT	2500 NPT	3000	3000	3000	400	2,88	4,0	17,35	6	15
Inlet: Male thread NPT / Outlet: Female thread NPT													
1 x 2	SA216WCC	Chrome vanad.	2500 NPT	2500 NPT	3000	3000	3000	400	2,88	4,38	17,75	6	16
Inlet: Flange / Outlet: Flange													
1 x 2	SA216WCC	Chrome vanad.	900 RF	300 RF	2250	2110	1520	290	5,38	5,38	18,88	6	27
1 x 2	SA216WCC	Chrome vanad.	1500 RF	300 RF	3000	3000	2535	400	5,62	5,38	19,12	6	31
1 x 2	SA216WCC	Chrome vanad.	2500 RF	300 RF	3000	3000	3000	400	5,62	5,38	19,12	6	31

Notes

- For temperatures above 650°F springs of Inconel are necessary
- Outlet pressure limit for temperatures above 100°F shall not exceed the rating in ANSI/ASME B16.34



RL40: Specifications - Area 0,235 in² - Orifice C (not acc. to API)

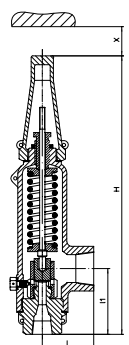
Valve size	Material		Connections ANSI std. (RF or RTJ)		Max. Set pressures			Outlet flange rating limit (4)	Valve dimensions				Weight
									I	I1	Max. H	Min. X	
inch	Body & Bonnet	Spring	Inlet	Outlet	psig at 100°F	psig at 400°F	psig at 750°F	psig at 100°F	inch	inch	inch	inch	lbs
Inlet: Female thread NPT / Outlet: Female thread NPT (Standard)													
1 x 1 1/2	SA351CF8M	SA313Gr.316	1500 NPT	1500 NPT	2000	2000	2000	400	2,88	3,62	15,49	6	15
Inlet: Male thread NPT / Outlet: Female thread NPT													
1 x 1 1/2	SA351CF8M	SA313Gr.316	1500 NPT	1500 NPT	2000	2000	2000	400	2,88	3,62	15,49	6	16
Inlet: Socket weld end / Outlet: Socket weld end													
1 x 1 1/2	SA351CF8M	SA313Gr.316	1500	1500	2000	2000	2000	400	acc. to customers requirement				
Inlet: Butt-weld end / Outlet: Socket weld end													
1 x 1 1/2	SA351CF8M	SA313Gr.316	1500	1500	2000	2000	2000	400	acc. to customers requirement				
Inlet: Flange / Outlet: Flange													
1 x 1 1/2	SA351CF8M	SA313Gr.316	150 RF	150 RF	275	195	95	275	5,38	5,75	17,88	6	23
1 x 1 1/2	SA351CF8M	SA313Gr.316	300 RF	150 RF	720	515	425	275	5,38	5,75	17,88	6	23
1 x 1 1/2	SA351CF8M	SA313Gr.316	300 RF	300 RF	720	515	425	275	5,38	5,75	17,88	6	23
1 x 1 1/2	SA351CF8M	SA313Gr.316	600 RF	150 RF	1440	1025	855	275	5,38	5,75	17,88	6	23
1 x 1 1/2	SA351CF8M	SA313Gr.316	1500 RF	300 RF	2000	2000	2000	400	5,38	6,62	18,75	6	29

RL41: Specifications - Area 0,235 in² - Orifice C (not acc. to API)

Valve size	Material		Connections ANSI std. (RF or RTJ)		Max. Set pressures			Outlet flange rating limit (4)	Valve dimensions				Weight
									I	I1	Max. H	Min. X	
inch	Body & Bonnet	Spring	Inlet	Outlet	psig at 100°F	psig at 400°F	psig at 750°F	psig at 100°F	inch	inch	inch	inch	lbs
Inlet: Female thread NPT / Outlet: Female thread NPT (Standard)													
1 x 2	SA351CF8M	SA313Gr.316	2500 NPT	2500 NPT	3000	3000	3000	400	2,88	4,0	17,35	6	15
Inlet: Male thread NPT / Outlet: Female thread NPT													
1 x 2	SA351CF8M	SA313Gr.316	2500 NPT	2500 NPT	3000	3000	3000	400	2,88	4,38	17,75	6	16
Inlet: Flange / Outlet: Flange													
1 x 2	SA351CF8M	SA313Gr.316	900 RF	300 RF	2160	1540	1280	275	5,38	5,38	18,88	6	27
1 x 2	SA351CF8M	SA313Gr.316	1500 RF	300 RF	3000	2570	2135	400	5,38	5,38	18,88	6	29
1 x 2	SA351CF8M	SA313Gr.316	2500 RF	300 RF	3000	3000	3000	400	5,62	5,38	19,12	6	31

Notes

1. Outlet pressure limit for temperatures above 100°F shall not exceed the rating in ANSI/ASME B16.34

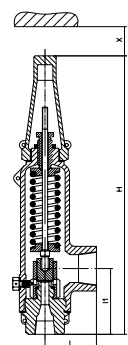


RL40: Specifications - Area 0,563 in² - Orifice G (not acc. to API)

Valve size	Material		Connections ANSI std. (RF or RTJ)		Max. Set pressures				Outlet flange rating limit (4)	Valve dimensions				Weight
										I	I1	Max. H	Min. X	
inch	Body & Bonnet	Spring	Inlet	Outlet	psig at 100°F	psig at 400°F	psig at 750°F	psig at 100°F	inch	inch	inch	inch	lbs	
Inlet: Female thread NPT / Outlet: Female thread NPT (Standard)														
1 1/2 x 2	SA216WCC	Chrome vanad.	1500 NPT	1500 NPT	1500	1500	1500	400	2,88	4,0	17,35	6	24	
2 x 2	SA216WCC	Chrome vanad.	1500 NPT	1500 NPT	1500	1500	1500	400	2,88	4,0	17,35	6	24	
Inlet: Male thread NPT / Outlet: Female thread NPT														
1 1/2 x 2	SA216WCC	Chrome vanad.	1500 NPT	1500 NPT	1500	1500	1500	400	2,88	4,38	17,75	6	25	
2 x 2	SA216WCC	Chrome vanad.	1500 NPT	1500 NPT	1500	1500	1500	400	2,88	4,38	17,75	6	25	
Inlet: Flange / Outlet: Flange														
1 1/2 x 2	SA216WCC	Chrome vanad.	150 RF	150 RF	290	200	95	290	5,62	6,5	20,12	6	35	
2 x 2	SA216WCC	Chrome vanad.	150 RF	150 RF	290	200	95	290	5,62	6,75	20,38	6	37	
1 1/2 x 2	SA216WCC	Chrome vanad.	300 RF	150 RF	750	705	505	290	5,62	6,5	20,12	6	35	
2 x 2	SA216WCC	Chrome vanad.	300 RF	150 RF	750	705	505	290	5,62	6,75	20,38	6	43	
1 1/2 x 2	SA216WCC	Chrome vanad.	300 RF	300 RF	750	705	505	290	5,62	6,5	20,12	6	41	
1 1/2 x 2	SA216WCC	Chrome vanad.	600 RF	150 RF	1500	1405	1015	290	5,62	6,5	20,12	6	41	
2 x 2	SA216WCC	Chrome vanad.	600 RF	150 RF	1500	1405	1015	290	5,62	6,75	20,38	6	43	
1 1/2 x 2	SA216WCC	Chrome vanad.	600 RF	300 RF	1500	1405	1015	290	5,62	6,5	20,12	6	35	
1 1/2 x 2	SA216WCC	Chrome vanad.	1500 RF	300 RF	1500	1500	1500	400	5,62	7,38	20,99	6	47	
2 x 2	SA216WCC	Chrome vanad.	1500 RF	300 RF	1500	1500	1500	400	5,62	7,62	21,25	6	49	

Notes

1. For temperatures above 650°F springs of Inconel are necessary
2. Outlet pressure limit for temperatures above 100°F shall not exceed the rating in ANSI/ASME B16.34

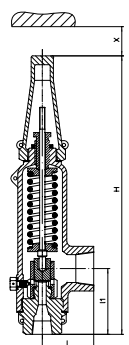


RL40: Specifications - Area 0,563 in² - Orifice G (not acc. to API)

Valve size	Material		Connections ANSI std. (RF or RTJ)		Max. Set pressures			Outlet flange rating limit (4)	Valve dimensions				Weight
									I	I1	Max. H	Min. X	
inch	Body & Bonnet	Spring	Inlet	Outlet	psig at 100°F	psig at 400°F	psig at 750°F	psig at 100°F	inch	inch	inch	inch	lbs
Inlet: Female thread NPT / Outlet: Female thread NPT (Standard)													
1 1/2 x 2	SA351CF8M	SA313Gr.316	1500 NPT	1500 NPT	1500	1500	1500	400	2,88	4,0	17,35	6	24
2 x 2	SA351CF8M	SA313Gr.316	1500 NPT	1500 NPT	1500	1500	1500	400	2,88	4,0	17,35	6	24
Inlet: Male thread NPT / Outlet: Female thread NPT													
1 1/2 x 2	SA351CF8M	SA313Gr.316	1500 NPT	1500 NPT	1500	1500	1500	400	2,88	4,38	17,75	6	25
2 x 2	SA351CF8M	SA313Gr.316	1500 NPT	1500 NPT	1500	1500	1500	400	2,88	4,38	17,75	6	25
Inlet: Flange / Outlet: Flange													
1 1/2 x 2	SA351CF8M	SA313Gr.316	150 RF	150 RF	275	195	95	275	5,62	6,5	20,12	6	35
2 x 2	SA351CF8M	SA313Gr.316	150 RF	150 RF	275	195	95	275	5,62	6,75	20,38	6	37
1 1/2 x 2	SA351CF8M	SA313Gr.316	300 RF	150 RF	720	515	425	275	5,62	6,5	20,12	6	35
2 x 2	SA351CF8M	SA313Gr.316	300 RF	150 RF	720	515	425	275	5,62	6,75	20,38	6	43
1 1/2 x 2	SA351CF8M	SA313Gr.316	300 RF	300 RF	720	515	425	275	5,62	6,5	20,12	6	41
1 1/2 x 2	SA351CF8M	SA313Gr.316	600 RF	150 RF	1440	1025	855	275	5,62	6,5	20,12	6	41
2 x 2	SA351CF8M	SA313Gr.316	600 RF	150 RF	1440	1025	855	275	5,62	6,75	20,38	6	43
1 1/2 x 2	SA351CF8M	SA313Gr.316	600 RF	300 RF	1440	1025	855	275	5,62	6,5	20,12	6	35
1 1/2 x 2	SA351CF8M	SA313Gr.316	1500 RF	300 RF	1500	1500	1500	400	5,62	7,38	20,99	6	47
2 x 2	SA351CF8M	SA313Gr.316	1500 RF	300 RF	1500	1500	1500	400	5,62	7,62	21,25	6	49

Notes

- For temperatures above 550°F springs of Inconel are necessary
- Outlet pressure limit for temperatures above 100°F shall not exceed the rating in ANSI/ASME B16.34



		Orifice (not acc. to API)											
		A			D			B		C		G	
Design area [A ₀]		0,078 in ²			0,122 in ²			0,152 in ²		0,235 in ²		0,563 in ²	
Design diameter [d ₀]		0,315 in			0,394 in			0,44 in		0,547 in		0,847 in	
NPS (Inlet x Outlet)		1/2" x 1"	3/4" x 1"	1" x 1"	1/2" x 1"	3/4" x 1"	1" x 1"	3/4" x 1"	3/4" x 2"	1" x 1 1/2"	1" x 2"	1 1/2" x 2"	2" x 2"
Set pressure (psig)													
< 30 psig with + 3 psig overpressure	15	40			54			61		123		290	
	20	46			62			70		142		334	
	30	59			78			89		179		423	
	40	72			96			109		221		520	
	50	86			114			130		262		617	
	60	99			132			150		303		715	
	70	113			150			171		345		812	
	80	126			168			191		386		910	
	90	140			186			212		428		1007	
	100	153			204			232		469		1105	
	110	167			222			253		510		1202	
	120	180			240			273		552		1300	
	130	194			258			294		593		1397	
	140	207			276			314		634		1495	
	150	221			294			335		676		1592	
	160	234			312			355		717		1689	
	170	248			330			376		758		1787	
	180	261			348			396		800		1884	
	190	275			366			417		841		1982	
	200	288			384			437		882		2079	
	210	302			402			458		924		2177	
	220	315			420			478		965		2274	
	230	329			438			499		1007		2372	
	240	343			456			519		1048		2469	
	250	356			474			540		1089		2566	
	260	370			492			560		1131		2664	
	270	383			510			581		1172		2761	
	280	397			528			601		1213		2859	
	290	410			546			622		1255		2956	
	300	424			564			642		1296		3054	
	320	451			600			683		1379		3249	
	340	478			636			724		1462		3443	
	360	505			672			765		1544		3638	
	380	532			708			806		1627		3833	

¹⁾ at 60°F and 14,7 psia

	Orifice (not acc. to API)											
	A			D			B		C		G	
Design area [A ₀]	0,078 in ²			0,122 in ²			0,152 in ²		0,235 in ²		0,563 in ²	
Design diameter [d ₀]	0,315 in			0,394 in			0,44 in		0,547 in		0,847 in	
NPS (Inlet x Outlet)	1/2" x 1"	3/4" x 1"	1" x 1"	1/2" x 1"	3/4" x 1"	1" x 1"	3/4" x 1"	3/4" x 2"	1" x 1 1/2"	1" x 2"	1 1/2" x 2"	2" x 2"
Set pressure (psig)												
400	559			744			847		1710		4028	
420	586			780			888		1792		4223	
440	613			816			929		1875		4418	
460	640			852			970		1958		4613	
480	667			888			1011		2041		4808	
500	694			924			1052		2123		5003	
520	721			960			1093		2206		5198	
540	748			996			1134		2289		5392	
560	775			1032			1175		2371		5587	
580	802			1068			1216		2454		5782	
600	829			1104			1257		2537		5977	
650	897			1195			1359		2744		6464	
700	964			1285			1462		2950		6952	
750	1032			1375			1564		3157		7439	
800	1100			1465			1667		3364		7926	
850	1167			1555			1769		3571		8413	
900	1235			1645			1872		3778		8901	
950	1302			1735			1974		3984		9388	
1000	1370			1825			2077		4191		9875	
1100	1505			2005			2282		4605		10850	
1200	1640			2185			2487		5018		11824	
1300	1776			2365			2691		5432		12799	
1400	1911			2545			2896		5846		13773	
1500	2046			2725			3101		6259		14748	
1600	2181			2905			3306		6673		--	
1700	2316			3085			3511		7086		--	
1800	2451			3265			3716		7500		--	
1900	2587			3445			3921		7914		--	
2000	2722			3625			4126		8327		--	
2300	3127			4166			4741		--	9568	--	
2600	3533			4706			5356		--	10809	--	
2900	3939			5246			5970		--	12050	--	
3000	--			--			6175		--	12463	--	
4000	--			--			--	8225	--		--	
5000	--			--			--	10274	--		--	

¹⁾ at 60°F and 14,7 psia

		Orifice (not acc. to API)											
		A			D			B		C		G	
Design area [A _d]		0,078 in ²			0,122 in ²			0,152 in ²		0,235 in ²		0,563 in ²	
Design diameter [d _d]		0,315 in			0,394 in			0,44 in		0,547 in		0,847 in	
NPS (Inlet x Outlet)		1/2" x 1"	3/4" x 1"	1" x 1"	1/2" x 1"	3/4" x 1"	1" x 1"	3/4" x 1"	3/4" x 2"	1" x 1 1/2"	1" x 2"	1 1/2" x 2"	2" x 2"
Set pressure (psig)													
< 30 psig with + 3 psig overpressure	15	113			150			171		345		814	
	20	130			173			197		398		938	
	30	165			219			250		504		1187	
	40	203			270			307		620		1461	
	50	241			321			365		736		1735	
	60	279			371			422		852		2009	
	70	317			422			480		969		2282	
	80	355			472			538		1085		2556	
	90	393			523			595		1201		2830	
	100	431			574			653		1317		3104	
	110	469			624			710		1433		3377	
	120	507			675			768		1550		3651	
	130	545			725			825		1666		3925	
	140	582			776			883		1782		4199	
	150	620			826			941		1898		4473	
	160	658			877			998		2014		4746	
	170	696			928			1056		2131		5020	
	180	734			978			1113		2247		5294	
	190	772			1029			1171		2363		5568	
	200	810			1079			1228		2479		5841	
	210	848			1130			1286		2595		6115	
	220	886			1181			1344		2712		6389	
	230	924			1231			1401		2828		6663	
	240	962			1282			1459		2944		6937	
	250	1000			1332			1516		3060		7210	
	260	1038			1383			1574		3176		7484	
	270	1076			1434			1631		3293		7758	
	280	1114			1484			1689		3409		8032	
	290	1152			1535			1747		3525		8305	
	300	1190			1585			1804		3641		8579	
	320	1266			1686			1919		3874		9127	
	340	1342			1788			2034		4106		9674	
	360	1418			1889			2150		4338		10222	
	380	1494			1990			2265		4571		10769	
	400	1570			2091			2380		4803		11317	
	420	1646			2192			2495		5036		11865	
	440	1722			2294			2610		5268		12412	
	460	1798			2395			2725		5500		12960	
	480	1874			2496			2840		5733		13507	
	500	1950			2597			2956		5965		14055	
	520	2026			2698			3071		6198		14602	
	540	2102			2799			3186		6430		15150	
	560	2178			2901			3301		6662		15697	
	580	2254			3002			3416		6895		16245	
	600	2330			3103			3531		7127		16793	
	650	2520			3356			3819		7708		18161	

	Orifice (not acc. to API)											
	A			D			B		C		G	
Design area [A ₀]	0,078 in ²			0,122 in ²			0,152 in ²		0,235 in ²		0,563 in ²	
Design diameter [d ₀]	0,315 in			0,394 in			0,44 in		0,547 in		0,847 in	
NPS (Inlet x Outlet)	1/2" x 1"	3/4" x 1"	1" x 1"	1/2" x 1"	3/4" x 1"	1" x 1"	3/4" x 1"	3/4" x 2"	1" x 1 1/2"	1" x 2"	1 1/2" x 2"	2" x 2"
Set pressure (psig)												
700	2709			3609			4107		8289		19530	
750	2899			3862			4395		8870		20899	
800	3089			4115			4683		9451		22268	
850	3279			4368			4971		10032		23637	
900	3469			4621			5259		10613		25006	
950	3659			4874			5546		11194		26375	
1000	3849			5127			5834		11775		27744	
1100	4229			5632			6410		12937		30481	
1200	4608			6138			6986		14099		33219	
1300	4988			6644			7562		15261		35957	
1400	5361			7140			8126		16400		38640	
1500	5775			7693			8755		17669		41631	
1600	6198			8256			9395		18962		--	
1700	6629			8830			10049		20281		--	
1800	7070			9417			10717		21629		--	
1900	7521			10018			11401		23011		--	
2000	7985			10636			12105		24430		--	
2100	8463			11273			12829		25893		--	
2200	8958			11932			13579		27405		--	
2300	9471			12615			14357		28976		--	
2400	10006			13328			15168		30613		--	
2500	10567			14075			16019		32329		--	
2600	11159			14864			16916		34140		--	
2700	11788			15701			17869		36064		--	
2800	12461			16598			18890		38125		--	
2900	13190			17569			19995		40354		--	

		Orifice (not acc. to API)											
		A			D			B		C		G	
Design area [A ₀]		0,078 in ²			0,122 in ²			0,152 in ²		0,235 in ²		0,563 in ²	
Design diameter [d ₀]		0,315 in			0,394 in			0,44 in		0,547 in		0,847 in	
NPS (Inlet x Outlet)		1/2" x 1"	3/4" x 1"	1" x 1"	1/2" x 1"	3/4" x 1"	1" x 1"	3/4" x 1"	3/4" x 2"	1" x 1 1/2"	1" x 2"	1 1/2" x 2"	2" x 2"
Set pressure (psig)													
< 30 psig with + 3 psig overpressure	15	8			13			11		24		55	
	20	9			14			13		27		63	
	30	11			17			15		32		75	
	40	12			20			18		37		87	
	50	14			22			20		42		97	
	60	15			25			22		46		106	
	70	16			27			24		49		115	
	80	18			28			25		53		122	
	90	19			30			27		56		130	
	100	20			32			28		59		137	
	110	21			33			30		62		144	
	120	22			35			31		65		150	
	130	22			36			32		67		156	
	140	23			37			33		70		162	
	150	24			39			34		72		168	
	160	25			40			36		75		173	
	170	26			41			37		77		178	
	180	26			43			38		79		184	
	190	27			44			39		81		189	
	200	28			45			40		84		194	
	210	29			46			41		86		198	
	220	29			47			42		88		203	
	230	30			48			43		90		208	
	240	31			49			44		92		212	
	250	31			50			45		93		216	
	260	32			51			45		95		221	
	270	32			52			46		97		225	
	280	33			53			47		99		229	
	290	34			54			48		101		233	
	300	34			55			49		102		237	
	320	35			57			50		106		245	
	340	36			58			52		109		252	
	360	37			60			53		112		260	
	380	38			62			55		115		267	

	Orifice (not acc. to API)											
	A			D			B		C		G	
Design area [A ₀]	0,078 in ²			0,122 in ²			0,152 in ²		0,235 in ²		0,563 in ²	
Design diameter [d ₀]	0,315 in			0,394 in			0,44 in		0,547 in		0,847 in	
NPS (Inlet x Outlet)	1/2" x 1"	3/4" x 1"	1" x 1"	1/2" x 1"	3/4" x 1"	1" x 1"	3/4" x 1"	3/4" x 2"	1" x 1 1/2"	1" x 2"	1 1/2" x 2"	2" x 2"
Set pressure (psig)												
400	39			63			56		118		274	
420	40			65			58		121		280	
440	41			66			59		124		287	
460	42			68			60		127		294	
480	43			69			62		129		300	
500	44			71			63		132		306	
520	45			72			64		135		312	
540	46			74			65		137		318	
560	47			75			67		140		324	
580	47			76			68		142		330	
600	48			78			69		145		335	
650	50			81			72		151		349	
700	52			84			74		156		362	
750	54			87			77		162		375	
800	56			90			80		167		387	
850	57			92			82		172		399	
900	59			95			84		177		411	
950	61			98			87		182		422	
1000	62			100			89		187		433	
1100	65			105			93		196		454	
1200	68			110			98		205		474	
1300	71			114			101		213		493	
1400	74			119			105		221		512	
1500	76			123			109		229		530	
1600	79			127			113		236		--	
1700	81			131			116		244		--	
1800	84			134			119		251		--	
1900	86			138			123		258		--	
2000	88			142			126		264		--	
2300	95			152			135		--	283	--	
2600	101			162			144		--	283	--	
2900	106			171			152		--	318	--	
3000	--			--			154		--	324	--	
4000	--			--			--	178	--		--	
5000	--			--			--	199	--		--	

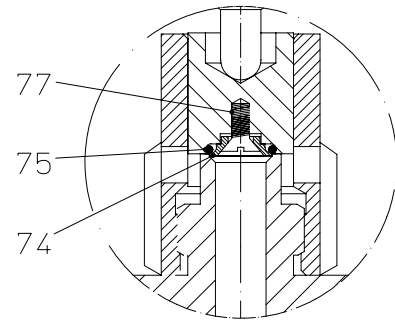
	ARI-REYCO RL Series
	Fig. 966 / 968 / 969
ASME Code Section VIII-Division 1 (UV-stamp, NB-stamp) USA	X
Canada Registration - CRN (only version with UV-stamp)	X
Pressure equipment directive PED 2014/68/EU Module B+D	X
Seat tightness	API 527

Converted coefficient of discharge K UV-/NB-stamp

Area	Orifice (not acc. to API)											
	A			D			B		C		G	
	0,078 in ²			0,122 in ²			0,152 in ²		0,235 in ²		0,563 in ²	
NPS (Inlet x Outlet)	1/2" x 1"	3/4" x 1"	1" x 1"	1/2" x 1"	3/4" x 1"	1" x 1"	3/4" x 1"	3/4" x 2"	1" x 1 1/2"	1" x 2"	1 1/2" x 2"	2" x 2"
Steam / Gas	0,860			0,732			0,668		0,873		0,858	
Liquid	0,634			0,652			0,465		0,631		0,610	

Soft sealing disc:

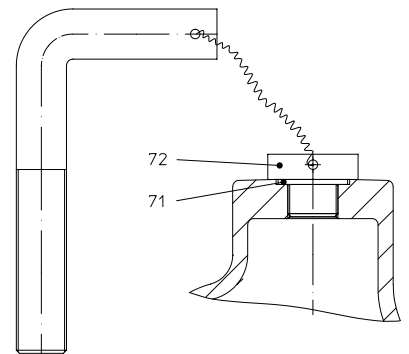
Aflas	-20 °F to +500 °F
BUNA-N	-65 °F to +275 °F
Chemraz	-20 °F to +450 °F
EPR	-65 °F to +325 °F
Fluoraz	-20 °F to +500 °F
Kalrez®	-20 °F to +550 °F
Silicone	-150 °F to +450 °F
Viton®	-65 °F to +400 °F



Parts

Pos.	Description	
74	Retaining plate	SA479Gr.316L
75	O-Ring	refer to material list above
77	Retaining screw	SA479Gr.304

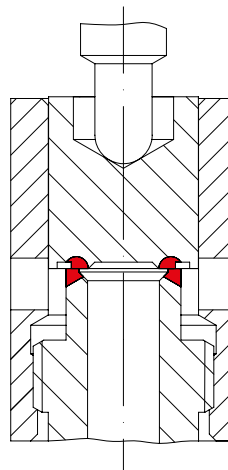
Design for test gag



Parts

Pos.	Description	
71	Gasket (gag screw)	Stainless steel
72	Gag screw	SA479Gr.316L

Stellited version



Base SA479Gr.316Ti / Stellite No. 21
Disc SA479Gr.316Ti / Stellite No. 6

